



# Easidew On-line Hygrometer

An economical panel- or bench- mounting hygrometer with digital display, output and alarm feature, offering excellent reliability and repeatability



- Wide measurement range
- Simple to use
- Clear red LED display
- Analogue output and alarm relay
- 1/8 DIN panel mounting
- Cable length up to 800 m



## Affordable, Simple Dew-point Measurement

The Easidew On-line Hygrometer has been designed to make continuous measurement of the dew point in air and gases simple and reliable. The neat 1/8 DIN panel- or bench-mounting display unit is connected to the Easidew Transmitter sensor module, which may be permanently installed in a plant or process location at a distance of up to 800 m from the display. An analogue output is provided for re-transmission to a chart recorder or data-logger and an alarm relay, adjustable via the front panel touch switches, provides a control output.

## Intelligent and Interchangeable Sensor Technology

The key to Easidew's performance is its sensor technology. Michell's Advanced Ceramic Moisture Sensor is coupled with C2TX microprocessor based measurement circuitry to produce a fully calibrated and interchangeable sensor transmitter module. All calibration data is stored within the C2TX module memory and so sensor exchange for calibration or service can be effected in seconds, even by untrained personnel. Furthermore, the C2TX transmitter module can be used as a stand-alone dew-point transmitter if required (The Easidew Transmitter). This same intelligent sensor transmitter is used in the Easidew Portable Hygrometer. Total flexibility, interchangeability and ease of implementation.

## Continuous In-Process Measurement

Easidew On-line is designed to give you continuous, reliable measurement of your air or gas system. The Easidew Transmitter, with its C2TX technology, puts intelligent dew-point control right at the measurement point, transmitting calibrated data back to the monitor unit, which can be located anywhere up to 800 m away. So you can be sure that the Easidew On-line Hygrometer will always be giving you vital, real-time information on the quality of air from your dryer system, or the gas in your process line. Easidew On-line's sensor can operate at any pressure up to 30 MPa when used with its stainless steel sampling block and associated pipework and couplings.

## Measurement in Your Control

The Easidew On-line Hygrometer features an extremely clear and bright 13 mm red LED display, so you can easily determine the dew point of your process even in the most dimly lit plant. We also provide you with a 4-20 mA analogue output for connection to a chart recorder, data-logger or computer system, so you can analyse trends in dew point over time. In addition, a fully adjustable alarm relay allows you to switch external equipment should a gas fault condition occur.

## Practical Design

The Easidew On-line Hygrometer is small and therefore easy to fit into any control panel, with a standard 1/8 DIN layout (96 x 48 mm) and a clearance depth of only 120 mm. Front panel buttons for alarm setting are protected to IP54.

## Reproducibility and Calibration Integrity

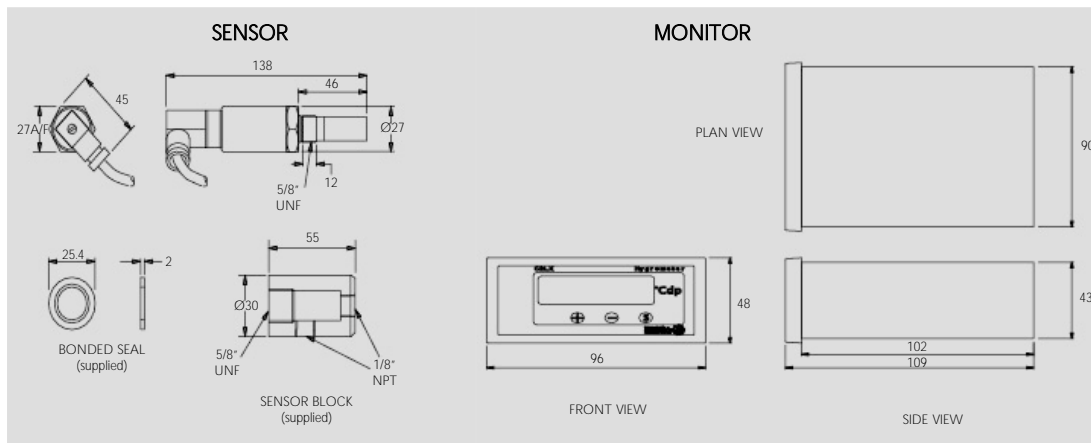
It is vital that the dew-point measurements you make are accurate and reliable. For over twenty-five years we have continually developed and refined our sensor technology to ensure that every sensor performs to your expectations. Each

Ceramic Moisture Sensor goes through a multi-mode test and inspection process before calibration to verify its reliability. The calibration process itself takes more than one week, where rigorous checks on the sensor performance are carried out at thirteen points across the measurement range. Only when the sensor has passed all these stringent checks is it ready to be applied to your critical humidity process control application.

## Technical Specifications

Measurement Range	-100 to +20 °C dew point
Accuracy	±2 °C dew point
Operating Temp	Electronics: -20 to +50 °C Sensor: -40 to +60 °C
Storage Temperature	-40 to +75 °C
Output	4-20 mA signal, max load resistance 200 Ω
Alarm	Single volt free contact, 8A
User interface	3 button configuration of alarm points
Power Supply	115 or 230 V AC, internally selectable

Ingress protection	IP54 (front panel only)
Sensor Cable	0.8 m supplied as standard (max 800 m)
Mains Cable	2 m cable supplied
Dimensions	Monitor: 1/8 DIN case, 96 x 48 x 120 mm including clearance (W x H x D) Sensor: 130 x 26 mm (length x diameter across hex flats)
Sensor	For full specification please see the Easidew Transmitter datasheet



Dimensions mm